



**DUKIN**OUTDOOR

## STYLEOUT® BIKEBOX - PERFECT FOR URBAN AREAS

Despite its small external dimensions, the **StyleOUT® BikeBOX** is spacious and suitable for both bikes and small motorbikes.



### EASY ACCESS

Lifting door makes bike parking quick and easy.



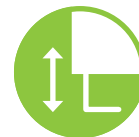
### MODULARITY

Place the desired number of BikeBOX sheds in a row and you have space for a larger number of bikes.



### LOCK

Every BikeBOX comes with a lock for keeping your bikes safe.



### ADAPTABILITY

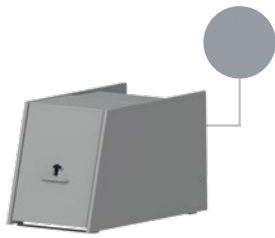
BikeBOX is suitable for uneven ground as it has height-adjustable legs.



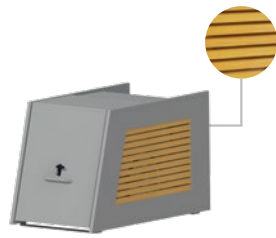
# BIKE SHED WITH LIFTING DOOR

The StyleOUT® BikeBOX is a small bike shed with lifting door that allow easy access to the bikes. At the same time, its size is an advantage in urban areas where there is not much space to set up a large bike storage. If your bikes are electric, add a set of electrical sockets and LED lights.

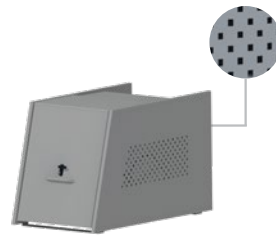
## 1/ MODELS



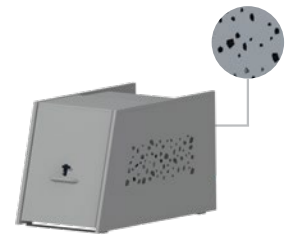
**BLANK MODEL**  
side made of alu plate



**LINIS MODEL**  
side with aluminium slats



**QUBIS MODEL**  
side with square cut-outs



**TOMO MODEL**  
side with irregular shape cut-outs

## 2/ COLORS

### RAL COLORS



9006



9007



7016



DB703



8019



YOUR WISH

### DEKOR (only for the LINIS model)



DEKOR 1



DEKOR 2



DEKOR 3



DEKOR 4

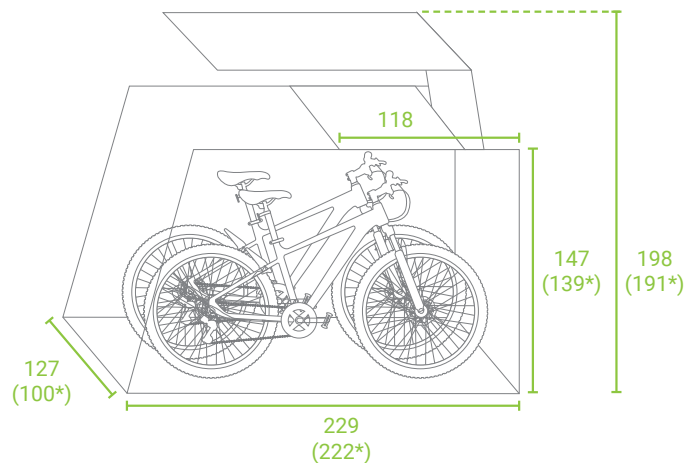


DEKOR 5



DEKOR 6

## 3/ DIMENSIONS / W x D x H



127 x 229 x 147 cm  
(suitable for 2 bikes / 1 motorbike)

\*internal dimensions

## 4/ EQUIPMENT

### STANDARD EQUIPMENT



LIFTING DOOR



HELMET HANGER



LOCK

### ADDITIONAL EQUIPMENT



LED LIGHT AND THREE ELECTRICAL SOCKETS