

# BICYCLE SHED STYLEOUT® BIKE





Easily access your bicycles	03
Small shed, lots of space	04
Storing bicycles	08
Models	09
Additional equipment	12
Colors	13

## EASILY ACCESS YOUR BICYCLES



Cycling is becoming an increasingly popular activity. The electric bicycle trend has made cycling easier than ever, but this raises the question of how to store and protect bicycles safely. This issue is particularly acute in urban areas where there is no space for traditional bicycle sheds.

The solution is StyleOUT® BIKE. The roof of the shed opens at the same time as the door, allowing easy access to the bikes.

The bicycle shed offers the possibility to install helmet storage shelves and a set of electrical sockets with LED lights. This way, you can charge your electric bicycles in your bike shed!

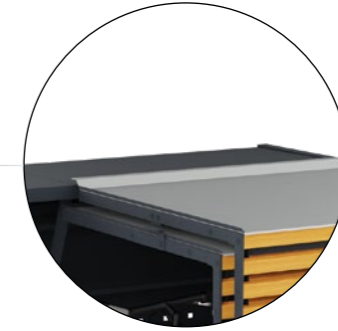
With the StyleOUT® BIKE, your bicycles will be safely stored and always ready to use!

# SMALL SHED, LOTS OF SPACE

310 x 231 x 175 cm  
(suitable for 4-6 bicycles)



Sliding doors animation



SLIDING DOORS WITH ROOF

SLIDING DOOR GUIDE

BACKWALL

IMPACT PROTECTION



FIXATION FEET



ALUMINIUM CONSTRUCTION

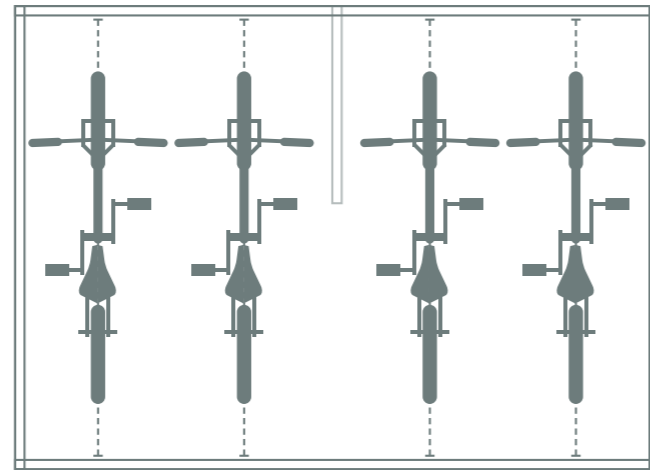
175

LOCK  
(without cylindrical insert)

# StyleOUT® BIKE



By DIN 79008 Standard



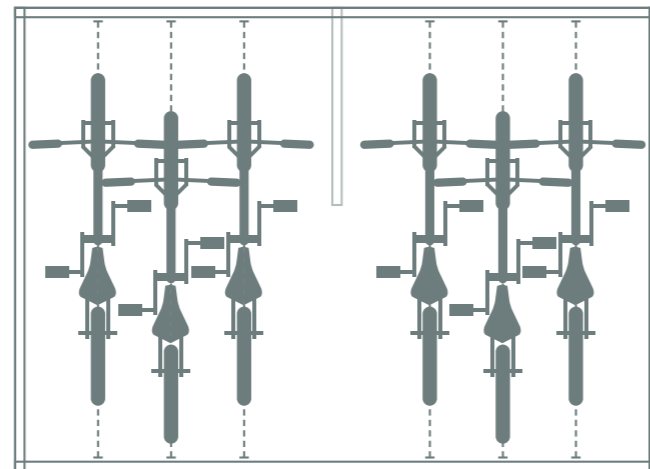
StyleOUT® BIKE BLANK



StyleOUT® BIKE LINIS



With two-level bicycle rack



StyleOUT® BIKE QUBIS



StyleOUT® BIKE TOMO





# ADDITIONAL EQUIPMENT

# COLORS



Floor plate for sliding doors



Pre-installation for double cylindrical lock (10/30)

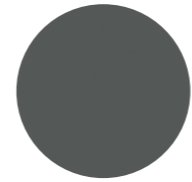


Shelf for storing helmets

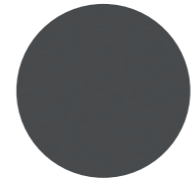


LED light set and three power sockets

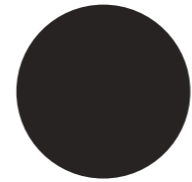
## STANDARD COLORS



RAL 7016  
Anthracite grey



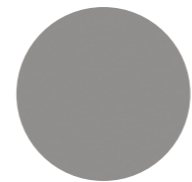
DB 703



RAL 8019  
Grey-brown



RAL 9006  
White aluminum



RAL 9007  
Grey aluminium



Color of your choice

## FAUX WOOD (only for the LINIS model)

DEKOR 1  
Dark cherry



DEKOR 2  
Wenge



DEKOR 3  
Pine



DEKOR 4  
Light cherry



DEKOR 5  
Mahogany



DEKOR 6  
Douglas fir







**DUKIN d.o.o.**  
Babinska cesta 6A  
9240 Ljutomer  
Slovenia

[sales@dukin.eu](mailto:sales@dukin.eu)  
+386 (0)59 100 150



[www.dukin.eu](http://www.dukin.eu)