



DUKINOUTDOOR

STYLEOUT® GARAGE FOR BICYCLES - PERFECT FOR SMALL YARDS

Due to its small external dimensions, the StyleOUT® GARAGE bicycle shed can be used in places where there is not much space.



EASY ACCESS

Park your bicycles in a quick and simple way.



SPACE UTILISATION

Despite its small dimensions, it provides room for at least three bicycles.



LOCKING

A built-in lock keeps your stored items safe.



SUSTAINABILITY

High-quality materials and production ensure long-term use and easy maintenance.

EASILY ACCESSIBLE BICYCLE SHED

The StyleOUT® GARAGE is a bicycle garage characterised by its overhead door that provides easy access as well as protection for your bicycles. The garage will add style and functionality to your yard.

1/ MODEL



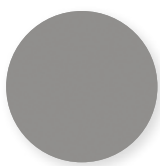
STYLEOUT® GARAGE MIDI

2/ COLOURS

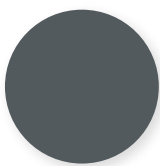
RAL COLOURS



9006



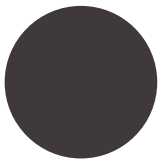
9007



7016



DB703

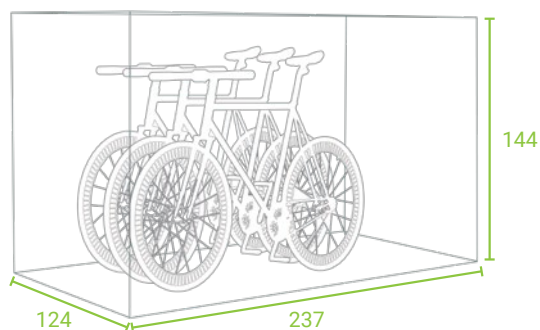


8019



YOUR CHOICE

3/ DIMENSIONS / W x D x H

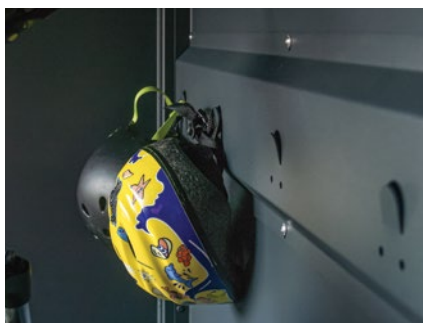


STYLEOUT® GARAGE MIDI
237 x 124 x 144 cm
(suitable for 3 bicycles)

4/ FEATURES



Overhead door



Helmet hooks



Lock